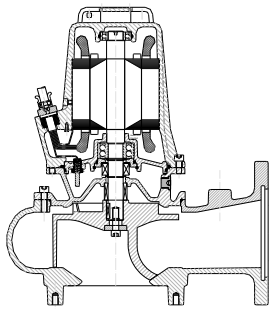




Su richiesta
On request
Sur requête

AT 150/4/173 C. 258

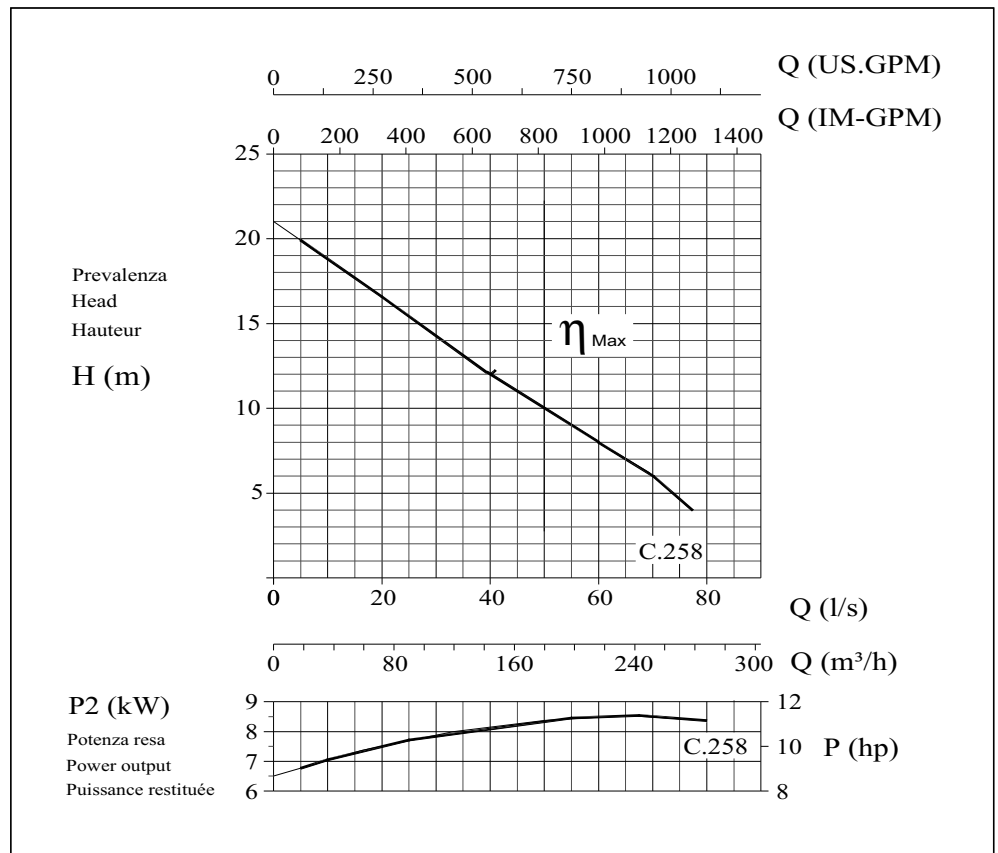


GIRANTE MONOCANALE
IMPELLER SINGLECHANNEL
ROUE MONOCANAL

| | |
|--------------------|-------|
| PASSAGGIO LIBERO | 100mm |
| FREE PASSAGE | 100mm |
| SECTION DE PASSAGE | 100mm |

| | |
|---------------|----------|
| ALBERO MOTORE | AISI 420 |
| MOTOR SHAFT | AISI 420 |
| ARBRE MOTEUR | AISI 420 |

Curve secondo ISO 9906. Livello 2
Curves as per ISO 9906. Grade 2
Courbes selon ISO 9906. Niveau 2



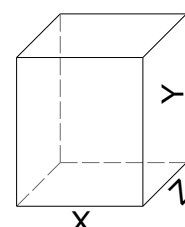
| Elettropompa Tipo Electric pump Type Electropompe Type | Prevalenza - Head - Hauteur | | | | | | | | | | |
|--|-----------------------------|----|----|----|----|----|----|----|----|----|----|
| | 4 | 6 | 8 | 10 | 12 | 14 | 16 | 18 | 20 | 22 | 24 |
| | Portata - Capacity - Débit | | | | | | | | | | |
| | Q (l/s) | | | | | | | | | | |
| AT 150/4/173 C. 258 | 77 | 70 | 60 | 50 | 40 | 31 | 22 | 14 | 5 | | |

Dati tecnici / Specifications / Données

| | Mandata Delivery Refoulement | kW | | r.p.m | Poles | Ampere | Hz | Cos |
|---------------------|------------------------------|------|-----|-------|-------|-----------------|----|------|
| | | P1 | P2 | 1/min | | Trifase 3~ 400V | | |
| AT 150/4/173 C. 258 | ϕ 20 DN2 150 | 10,5 | 8,5 | 1450 | 4 | 17,5 | 50 | 0,87 |

Dimensioni di ingombro
Overall dimensions of packing
Dimensions d'encombrement des emballages

| TIPO-TYPE | X | Y | Z | Kg |
|---------------------|-----|-----|-----|-----|
| AT 150/4/173 C. 258 | 550 | 860 | 645 | 120 |

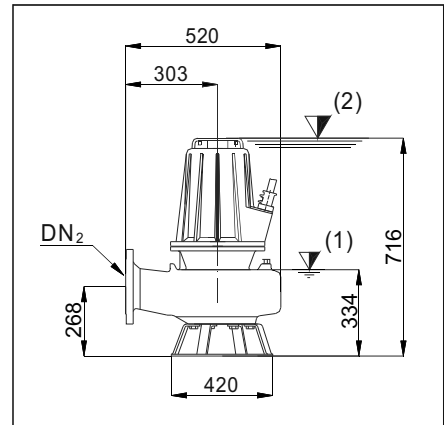
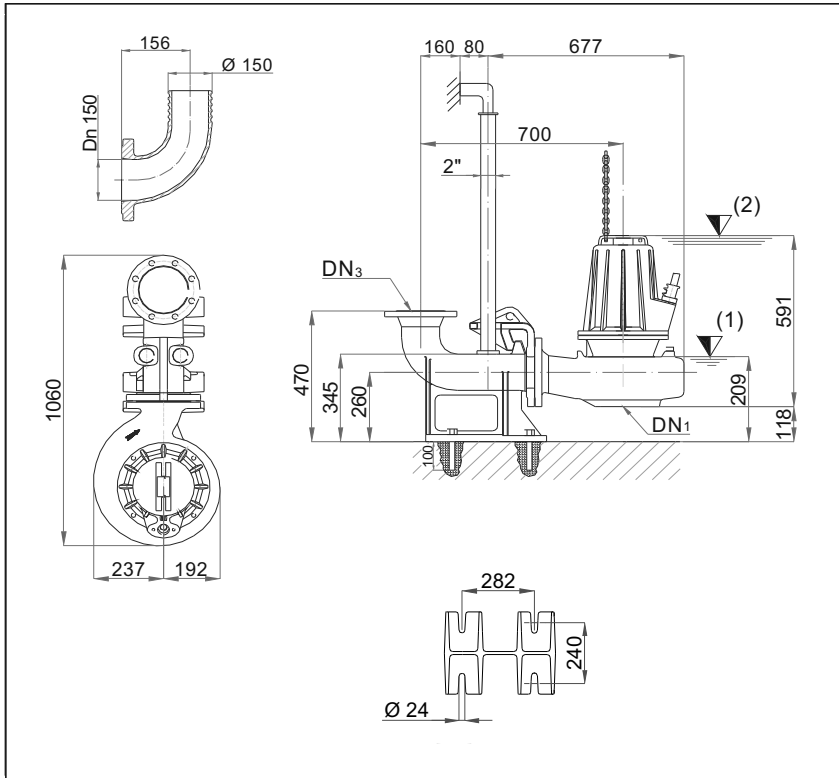


AT 150/4/173 C.258

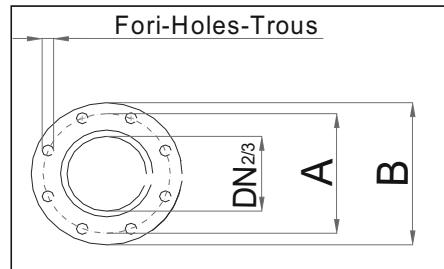


INSTALLAZIONE FISSA
STATIONARY INSTALLATION
INSTALLATION FIXE

INSTALLAZIONE MOBILE
MOBILE INSTALLATION
INSTALLATION PORTABLE



Dimensioni flange UNI
UNI flange dimensions
Dimensions brides UNI



DIMENSIONI FLANGE UNI - UNI FLANGE DIMENSIONS - DIMENSIONS BRIDES UNI

| TIPO - TYPE | DN 1 | DN 2/3 | A | B | Fori - Holes - Troues | | OPTIONAL | | | |
|--------------------|------|--------|-----|-----|-----------------------|----|-----------|-----------|----------------|--|
| | | | | | n° | mm | | | | |
| AT 150-4-173 C.258 | 150 | 150 | 240 | 285 | 8 | 22 | P7-DN 150 | B7-DN 150 | DN 150 - PN 16 | |

CARATTERISTICHE TECNICHE - TECHNICAL FEATURES - CARACTERISTIQUES TECHNIQUES

| TIPO - TYPE | CAVO - CABLE H07 - RNF | MT | Sonde termiche | si | | | | |
|--------------------|---------------------------|----|-----------------------|-----|---------------------------------|---------------------------------|---------------------------------|---------------------------------|
| | | | Thermal probes | yes | | | | |
| AT 150-4-173 C.258 | (1) 10x1,5 φ 20 Y-△ | 10 | Sondes thermiques | oui | Superiore Upper Supérieur | Inferiore Lower Inférieur | Superiore Upper Supérieur | Inferiore Lower Inférieur |
| | | | Sonda di conduttività | si | | | | |
| | | | Conductivity probe | yes | AR30 | MG1/30/G6 | 6206 2Z | 3306 2Z |
| | | | Sonde de conductivité | oui | | | | |

NOTE - NOTES - NOTES :



Punto inferiore d'arresto nel caso di funzionamento automatico
Lowest shut-off point for automatic operation
Point d'arrêt le plus bas en service automatique

DRENO POMPE si riserva di modificare senza preavviso i dati riportati in questo catalogo

DRENO POMPE can alter without notifications the data mentioned in this catalogue



Sommergenza minima nel caso di funzionamento continuo
Minimum covering for continuous operation
Recouvrement minimal pour service continuu

DRENO POMPE se réserve le droit de modifier sans préavis les données techniques dans ce catalogue